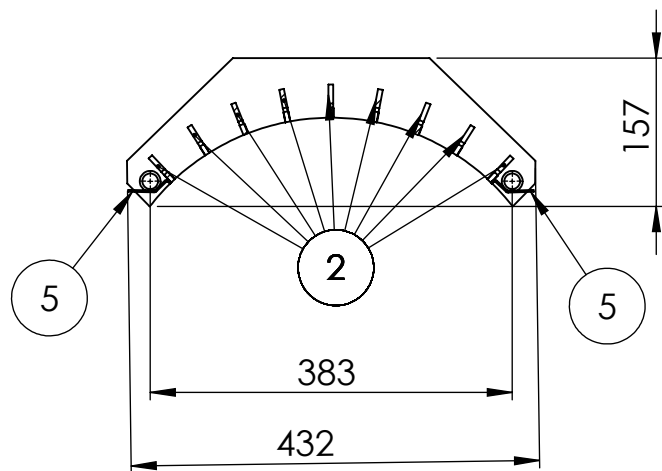
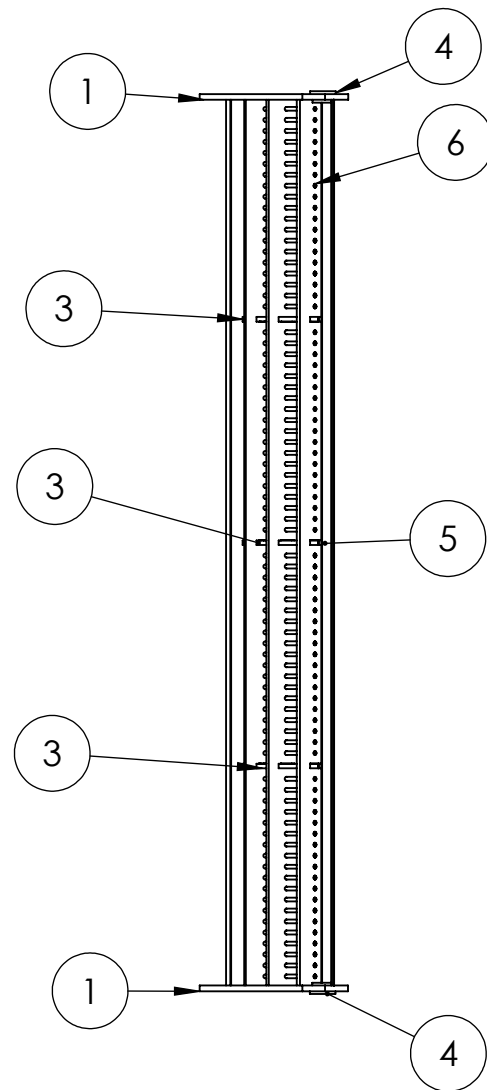
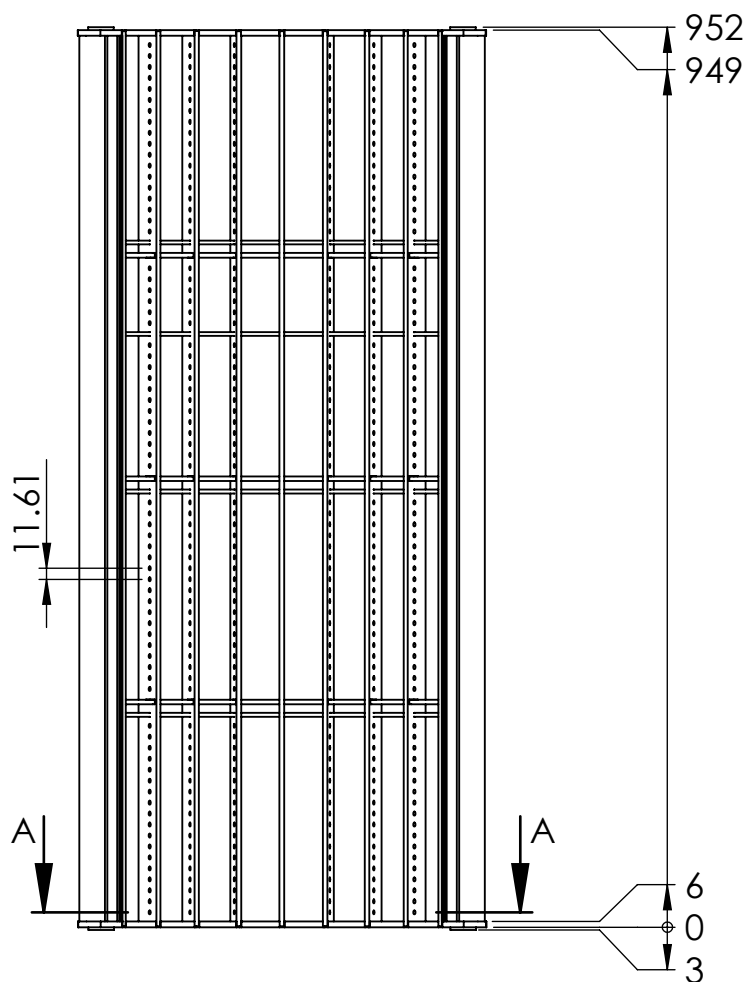


| ITEM NO. | PART NUMBER | DESCRIPTION | QTY. |
|----------|---------------------------|------------------|------|
| 1 | Klepisko łuk | #6 S355 | 2 |
| 2 | Klepisko cep | #5 S355 | 9 |
| 3 | klepisko łuk 2(CC30KW) | #5 S355 | 3 |
| 4 | Klepisko tujeja | fi 16,5 wew | 4 |
| 5 | Ostona bl 2mm | #2 49,3x937 OSKO | 2 |
| 6 | drut | fi 3,8 | 76 |



SECTION A-A

| | | |
|--|--------------|----|
| OSKO-PLAST Stara Dąbia 9, 08-500 Ryki www.osko-plast.pl | | |
| TYTUŁ: CLAAS COMPACT 30 | | |
| NR RYSUNKU | MATERIAŁ: | A4 |
| SKALA: 1:8 | ARKUSZ 1 Z 3 | |