



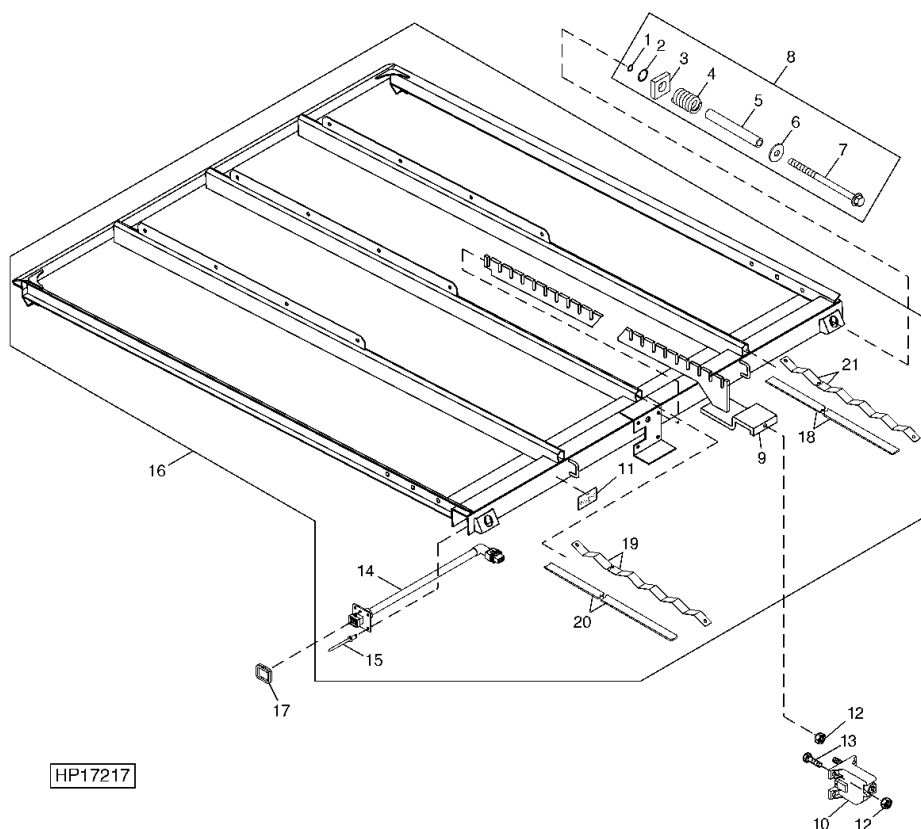
**John Deere - Parts Catalog**  
Printer Friendly Page

[Close Window](#)

Catalog: **9529** | Grid: **0** | Section: **125** | Page: **384**

Catalog Name: **9880i STS Combine (S.N.715701- ) European Edition**

Page Name: **SIEVE ELEMENT AND TOUCHSET AUTOMATIC COMBINE ADJUSTMENT**



HP17217

key	PART NO.	PART NAME	QTY	SERIAL NO.	REMARKS
1	R26286	O-Ring	2		
2	H171075	Retainer	2		
3	24H1265	Washer	2		13/16" X 1-1/4" X 0.060"
4	N14279	Compression Spring	2		
5	H169836	Spacer	2		
6	24M7180	Washer	2		13 X 37 X 3 mm
7	H170071	Screw	2		
8	AH165012	Mounting Parts	1		
9	AH212484	Adjuster	1		
10	AH223322	Actuator	1		(SUB FOR AH207913)
key	PART NO.	PART NAME	QTY	SERIAL NO.	REMARKS
11	H206096	Instruction Plate	1		
12	14M7298	Flange Nut	5		M8
13	19M7897	Screw	4		M8 X 35
14	AH216156	Wiring Harness	1		(SUB FOR AH213080)
15	H205182	Rivet	4		

16	AH212241	Sieve	1		(A)
	AH212247	Sieve	1		(B)
	AH213857	Sieve	1		(C) 3MM
	AH213860	Sieve	1		(C) 10MM
17	H212949	Grommet	1		
<b>key</b>	<b>PART NO.</b>	<b>PART NAME</b>	<b>QTY</b>	<b>SERIAL NO.</b>	<b>REMARKS</b>
18	H211957	Strip	2		
19	H211958	Spring	1		
20	H212664	Strip	1		
21	H212866	Spring	2		

(A) GENERAL PURPOSE (B) DEEP TOOTH (C) FIXED